



NEMO EVALUATIONS REPORT

Report No.: NER-RGV-001
Revision 0: 2025-12-17
Page 1 of 7

Roof Goose Vent LLC
FL47969

Nemo|cert.
353 Christian Street, Unit 12b
Oxford, CT 06478
(475) 888-CERT (2378)
www.nemocert.com

INSPECT

CERTIFY

EVALUATE

VALIDATE

QUALIFY

NEMO EVALUATION REPORT (NER)



Roof Goose Vent
SUPERIOR VENT TERMINATIONS

[Roof Goose Vent LLC](#)
44 Crest Field Lane
North Kingstown, RI 02852
(401) 256-3222

SUBJECT: Roof Goose Jacks

SCOPE: This NEMO Evaluation Report (henceforth 'NER') is issued under F.A.C. [Rule 61G20-3](#) and the applicable rules and regulations governing Product Approval of construction materials in the State of Florida and ISO/IEC 17065 via [NEMO|cert.](#) NEMO Evaluations has evaluated the product described herein for compliance with intent of the [Code sections noted herein](#).

CODE: 2023 Florida Building Code, 8th Edition

JURISDICTION: Non-HVHZ and HVHZ

NEMO CATEGORY: Pre-Assembled Systems

FBC CATEGORY: Roofing

FBC SUB-CATEGORY: Roofing Accessories that are an Integral Part of the Roofing System

CSI DIVISION: 07 00 00 Thermal and Moisture Protection
07 72 00 Roof Accessories
07 72 26 Ridge Vents

METHOD: Method 1, Option C – Codified Material, Evaluation by Evaluation Entity

COMPLIANCE STATEMENT: **Roof Goose Jacks**, as produced by **Roof Goose Vent LLC**, has demonstrated compliance with the intent of the [Code sections noted herein](#) through testing in accordance with the referenced Standards, rational analysis and an ongoing quality assurance program. Compliance is subject to the [Installation Requirements](#) and [Limitations of Use](#) set forth herein.

QUALITY ASSURANCE: Evidence of current quality assurance shall be listing and/or labeling in accordance with the requirements of [NEMO|cert.](#)

CONTINUED COMPLIANCE: This NER is valid until such time the named product(s) change, the referenced Quality Assurance changes, or the evaluated Code provisions change. NEMO Evaluations require, at minimum, a complete review of this NER with each 3-year Code Cycle.

BUILDING PERMIT REQUIREMENTS: As required by the Building Official or Authority Having Jurisdiction to evaluate the installation of this product.

ADVERTISEMENT: "NEMO Evaluated" may be displayed in advertising literature. If any portion of the NER is displayed, it shall be displayed in its entirety.

CERTIFICATION OF INDEPENDENCE:

- ✓ NEMO CERT, LLC does not have, nor does it intend to acquire or will it acquire, a financial interest in any company manufacturing or distributing products it evaluates.
- ✓ NEMO CERT, LLC is not owned, operated or controlled by any company manufacturing or distributing products it evaluates.
- ✓ This is a building code evaluation. NEMO CERT, LLC is not, in any way, the Designer of Record for any project on which this NER, or previous versions thereof, is/was used for permitting or design guidance.



1. CODES, PROPERTIES AND STANDARDS:

CODE	SECTION	PROPERTY	STANDARD
2023 Florida Building Code, 8 th Edition	1523.6.5.2.13	Wind Driven Rain	TAS 100(A)
	1523.6.5.2.13.1	Material standard	TAS 110
	TAS 110	Pressure Resistance	TAS 202
	2606.4	Physical properties	ASTM D1929
	2606.4	Physical properties	ASTM D635
	2606.4	Physical properties	ASTM D2843
	2615.2	Physical properties	ASTM D638

2. PRODUCTS:

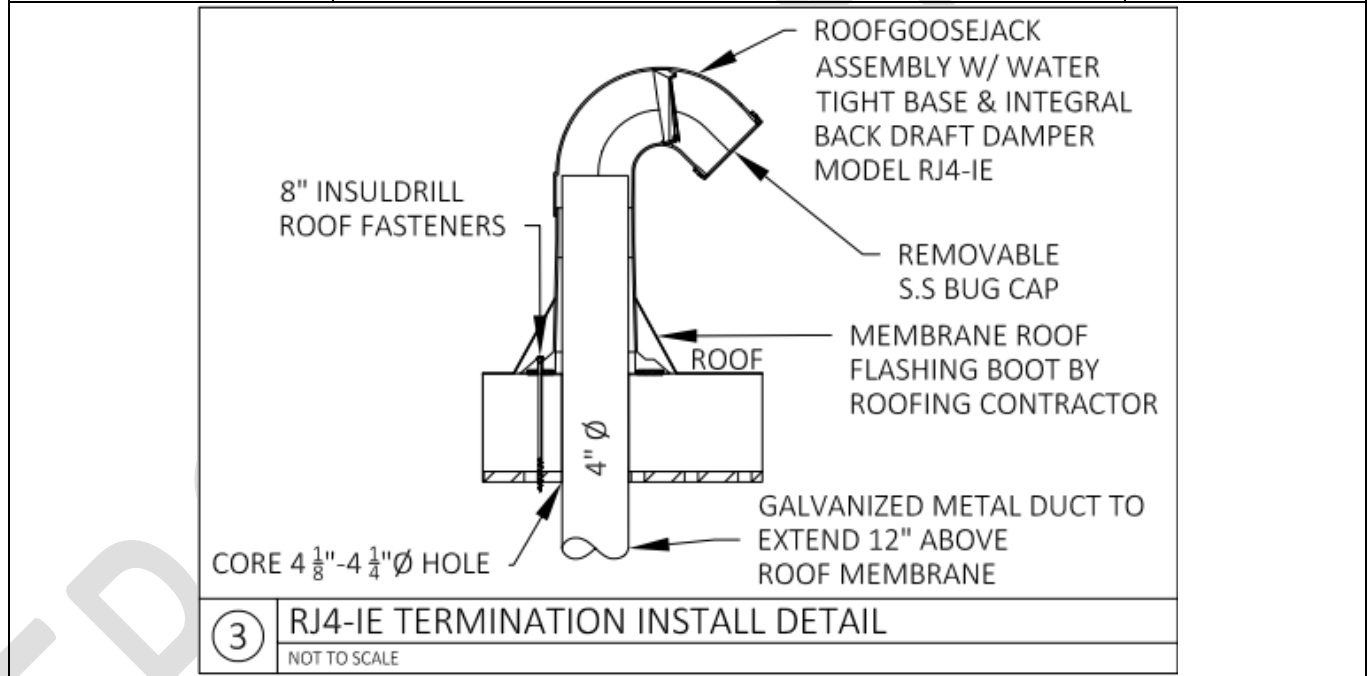
TABLE 1A: EVALUATED ROOF GOOSE JACK COMPONENTS (NEMO Certified. Consult Directory of Certified Products for production location(s))		
TRADE NAME	DESCRIPTION	PUBLISHED NFVA ¹
RJ4-IE	Polypropylene plastic intake or exhaust roof vent for use with low-profile roof systems. The product is available in 4-inch diameter and 12-inch height.	12.56 in ² /ft
 <p style="text-align: center;"> 3 RJ4-IE TERMINATION INSTALL DETAIL NOT TO SCALE </p>		

Figure 1: RJ4-IE

¹ Net Free Ventilation Area (NFVA) reported herein is as published by the manufacturer at the time of evaluation. The report user should verify current published data at the time of design and/or permitting to the satisfaction of the Authority Having Jurisdiction.

TABLE 1A: EVALUATED ROOF GOOSE JACK COMPONENTS (NEMO Certified. Consult Directory of Certified Products for production location(s))		
TRADE NAME	DESCRIPTION	PUBLISHED NFVA ¹
RJ4-IE INSULATED	Polypropylene plastic insulated intake or exhaust roof vent for use with low-profile roof systems. The product is available in 4-inch diameter and 12-inch height.	12.56 in ² /ft
<div style="text-align: center;"> </div> <p style="text-align: center;">6 RJ4-IE INSULATED TERMINATION INSTALL DETAIL NOT TO SCALE</p> <p style="text-align: center;">Figure 2: RJ4-IE INSULATED</p>		
RJ4-UTILITY	Polypropylene plastic lineset termination pipe for use with low-profile roof systems. The product is available in 4-inch diameter and 12-inch height.	N/A
<div style="text-align: center;"> </div> <p style="text-align: center;">1 RJ4-UTILITY TERMINATION INSTALL DETAIL NOT TO SCALE</p> <p style="text-align: center;">Figure 3: RJ4-UTILITY</p>		

TABLE 1A: EVALUATED ROOF GOOSE JACK COMPONENTS (NEMO Certified. Consult Directory of Certified Products for production location(s))		
TRADE NAME	DESCRIPTION	PUBLISHED NFVA ¹
RJ4-Dryer	Polypropylene plastic dryer roof vent for use with low-profile roof systems. The product is available in 4-inch diameter and 12-inch height.	87.96 in ² /ft
<div style="text-align: center;"> <p>OPTIONAL R-4.7 INSULATION</p> <p>8" INSULDRILL ROOF FASTENERS</p> <p>ROOFGOOSEJACK ASSEMBLY W/ WATER TIGHT BASE & INTEGRAL BACK DRAFT DAMPER MODEL RJ4-DRYER</p> <p>REMOVABLE BIRD GUARD</p> <p>MEMBRANE ROOF FLASHING BOOT BY ROOFING CONTRACTOR</p> <p>4" Ø</p> <p>GALVANIZED 26 GAUGE METAL DUCT TO EXTEND 12" ABOVE ROOF MEMBRANE</p> <p>CORE 4 1/8"-4 1/4" Ø HOLE</p> <p>④ RJ4-DRYER TERMINATION INSTALL DETAIL NOT TO SCALE</p> </div> <p style="text-align: center;">Figure 4: RJ4-Dryer</p>		
RJ4-Dryer INSULATED	Polypropylene plastic insulated dryer roof vent for use with low-profile roof systems. The product is available in 4-inch diameter and 12-inch height.	87.96 in ² /ft
<div style="text-align: center;"> <p>OPTIONAL R-4.7 INSULATION</p> <p>8" INSULDRILL ROOF FASTENERS</p> <p>ROOFGOOSEJACK ASSEMBLY W/ WATER TIGHT BASE & INTEGRAL BACK DRAFT DAMPER MODEL RJ4-DRYER</p> <p>REMOVABLE BIRD GUARD</p> <p>MEMBRANE ROOF FLASHING BOOT BY ROOFING CONTRACTOR</p> <p>4" Ø</p> <p>GALVANIZED 26 GAUGE METAL DUCT TO EXTEND 12" ABOVE ROOF MEMBRANE</p> <p>CORE 4 1/8"-4 1/4" Ø HOLE</p> <p>④ RJ4-DRYER TERMINATION INSTALL DETAIL NOT TO SCALE</p> </div> <p style="text-align: center;">Figure 5: RJ4-Dryer INSULATED</p>		

TABLE 1A: EVALUATED ROOF GOOSE JACK COMPONENTS (NEMO Certified. Consult Directory of Certified Products for production location(s))		
TRADE NAME	DESCRIPTION	PUBLISHED NFVA ¹
RJ6-IE	Polypropylene plastic intake or exhaust roof vent for use with low-profile roof systems. The product is available in 6-inch diameter and 12-inch height.	26.21 in ² /ft
<div style="text-align: center;"> <p>5 RJ6-IE TERMINATION INSTALL DETAIL NOT TO SCALE</p> </div> <p style="text-align: center;">Figure 6: RJ6-IE</p>		
RJ6-UTILITY	Polypropylene plastic lineset termination pipe for use with low-profile roof systems. The product is available in 6-inch diameter and 12-inch height.	N/A
<div style="text-align: center;"> <p>2 RJ6-UTILITY TERMINATION INSTALL DETAIL NOT TO SCALE</p> </div> <p style="text-align: center;">Figure 7: RJ6-UTILITY</p>		



NEMO EVALUATIONS REPORT

Report No.: NER-RGV-001
Revision 0: 2025-12-17
Page 6 of 7

Roof Goose Vent LLC
FL47969



3. INSTALLATION:

- 3.1 Unless otherwise noted, the term “**Roof Goose Jacks**” herein includes the products reported under [Table 1A](#) of this NER.
- 3.2 **Roof Goose Jacks** shall be installed in accordance with **Roof Goose Vent LLC** published installation instructions, subject to the [Limitations of Use](#) noted herein.
 - 3.2.1 The specifics herein pertain to attachment of the vent to the roof deck, as tested, to meet wind load requirements at mean roof height less than or equal to 33 ft. Refer to **Roof Goose Vent LLC’s** published installation requirements for other important aspects of the installation.
- 3.3 **RJ4-UTILITY and RJ6-UTILITY:**
 - 3.3.1 Drill a pilot hole at the designated location where the termination will be installed.
 - 3.3.2 Position the termination over the pilot hole and secure the flange using the pre-drilled holes and supplied 8-inch roof fasteners.
 - 3.3.3 Using the pilot hole as a guide, cut the termination opening to the required size.
 - 3.3.4 Install all flashing in accordance with the manufacturer’s instructions.
 - 3.3.5 Run the copper line sets through the termination. Once all required lines have been fed through, install the draft stoppers.
 - 3.3.6 Close the termination assembly in accordance with **Roof Goose Vent’s** published installation instructions and fasten the exterior components securely.
- 3.4 **RJ4-IE, RJ4-IE INSULATED, RJ4-Dryer, RJ4-Dryer INSULATED, and RJ6-IE:**
 - 3.4.1 Locate the ductwork for the vent. Ductwork should extend above the roof membrane by 11.5 – 12.5 inches.
 - 3.4.2 Position the vent over the ductwork and secure the flange using the pre-drilled holes and supplied 8-inch roof fasteners.
 - 3.4.3 Install all flashing in accordance with the manufacturer’s instructions.
 - 3.4.4 Close the vent assembly in accordance with **Roof Goose Vent’s** published installation instructions and fasten the exterior components securely.



NEMO EVALUATIONS REPORT

Report No.: NER-RGV-001
Revision 0: 2025-12-17
Page 7 of 7

Roof Goose Vent LLC
FL47969



4. LIMITATIONS OF USE:

4.1 General:

4.1.1 This is a building code evaluation. NEMO CERT, LLC is not, in any way, the Designer of Record for any project on which this NER, or previous versions thereof, is/was used for permitting or design guidance. NERs are not to be construed as representing any attributes not specifically listed, nor are NERs to be construed as an endorsement of the subject of the report or a recommendation for its use. There is no warranty by NEMO CERT, LLC, express or implied, as to any finding or other matter in this report, or as to any product covered by the report.

4.1.2 Installation shall result in minimum net free ventilation area requirements set forth in **FBC 1203.2**.

4.1.3 Roof Decks:

- (a) This NER pertains to above-deck roof components. Roof decks and structural members shall be in accordance with FBC requirements to the satisfaction of the Authority Having Jurisdiction.
- (b) OSB sheathing is not permitted in FBC HVHZ jurisdictions.

4.1.4 Slope:

- (a) The minimum slope is 2:12.
- (b) The maximum slope for the installation of **Roof Goose Jacks** is 5:12.

4.1.5 Fire Classification:

This NER does not include evaluation of fire classification. Refer to **FBC 1505** or **FBC HVHZ 1516** for requirements and limitations regarding roof assembly fire classification.

4.1.6 Quality Assurance:

All components in the roof assembly shall have quality assurance surveillance. For Florida Product Approval, this shall be in accordance with **F.A.C. Rule 61G20-3**. For components listed herein that are produced by a manufacturer other than the report holder on [Page 1](#) of this NER, refer to the [Florida Product Approval](#) of the component manufacturer.

- END OF NER -